

VISIONAIRE



LIGHTING

Express Program

VISIONAIRE LIGHTING

Introduces

The

Express Program

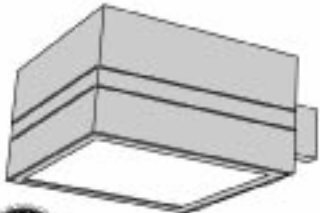
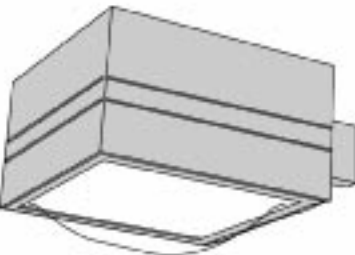
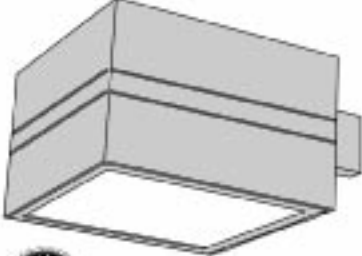
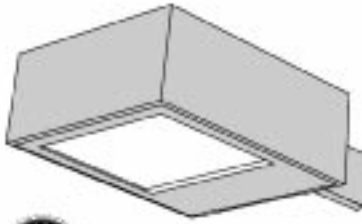


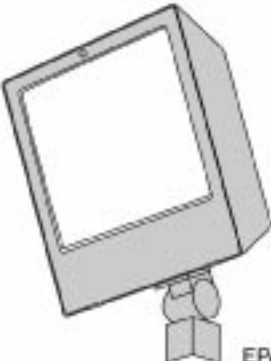

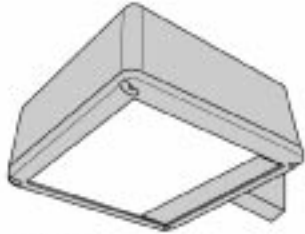
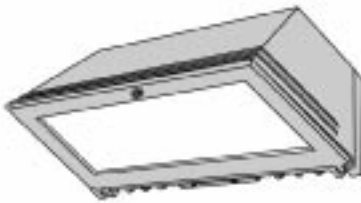

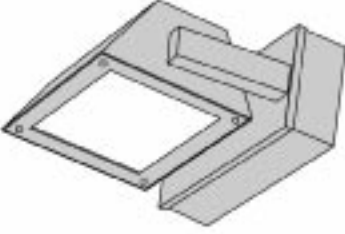
- ★ A 5 day shipping program of selected fixtures, poles, & mounting accessories for your approved customers

Program Details

- Orders will ship within 5 working days
- Orders will be immediately entered, no acknowledgement required
- Freight allowed on orders of \$2,000.00 or more
 - Large orders may require longer lead times
 - Change orders may result in shipping delays
 - Order cancellations may result in restocking charges

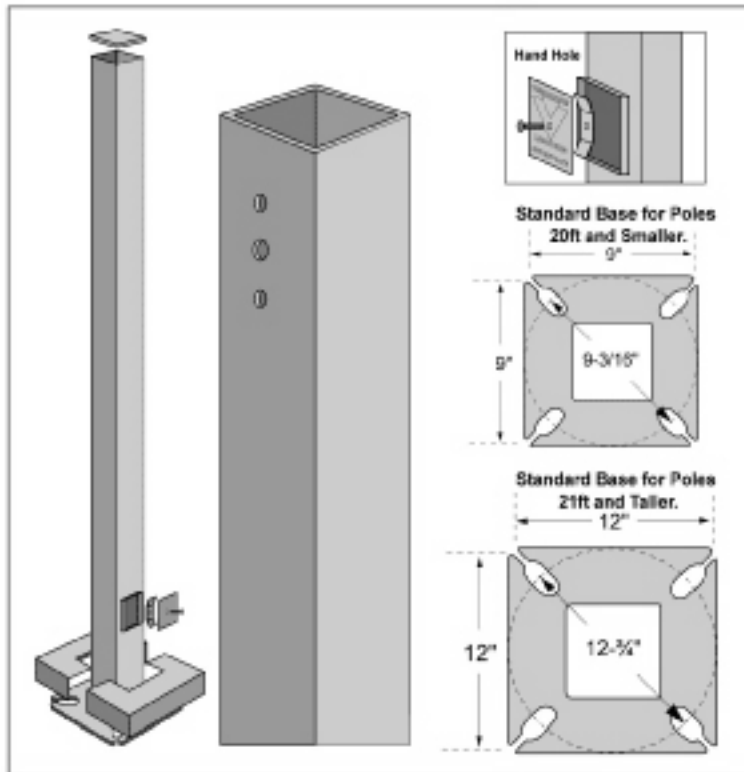
VISIONAIRE LIGHTING

Express Program

 <p>EPA= 1.3</p>	 <p>EPA= 2.1</p>	 <p>EPA= 2.4</p>	 <p>(Size 1) EPA= 1.6 (Size 2) EPA= 1.9</p>
<p>American Series Size 2</p> <ul style="list-style-type: none"> • Vertical Lamp / Flat Glass Lens • 400w Metal Halide • Type III & Type V Optics (Dark Sky Family of Products) 	<p>American Series Size 3</p> <ul style="list-style-type: none"> • Vertical Lamp / Convex Glass Lens • 1000w Metal Halide • Type IV (FT) & Type V Optics 	<p>American Series Size 4</p> <ul style="list-style-type: none"> • Vertical Lamp / Flat Glass Lens • 1000w Metal Halide • Type V Optics (Dark Sky Family of Products) 	<p>AutoLux Series Size 1 & Size 2</p> <ul style="list-style-type: none"> • Horizontal Lamp / Flat Glass Lens • 400w & 1000w Metal Halide • Type III & Type IV (FT) Optics (Dark Sky Family of Products)
 <p>EPA= 2.0</p>	 <p>EPA= 2.0</p>	 <p>EPA= 2.7</p>	 <p>EPA= 2.7</p>
<p>SmartFlood Series SFL-1</p> <ul style="list-style-type: none"> • 250w & 400w Metal Halide • Wide Beam Spread Optics • Adjustable Knuckle Mount slips over 2-3/8" round tenon 	<p>SmartFlood Series SFL-1</p> <ul style="list-style-type: none"> • 250w & 400w Metal Halide • Wide Beam Spread Optics • Adjustable Trunion "U" Bracket 	<p>SmartFlood Series SFL-K</p> <ul style="list-style-type: none"> • 1000w Metal Halide • Wide Beam Spread Optics • Adjustable Knuckle Mount slips over 2-3/8" round tenon 	<p>SmartFlood Series SFL-K</p> <ul style="list-style-type: none"> • 1000w Metal Halide • Wide Beam Spread Optics • Adjustable Trunion "U" Bracket
 <p>EPA= 2.0</p>			
<p>ParkingStar Size 1</p> <ul style="list-style-type: none"> • Horizontal Lamp / Flat Glass Lens • 250w & 400w Metal Halide • Type III Optics (Dark Sky Family of Products) 	<p>Silhouette Series Size 2</p> <ul style="list-style-type: none"> • 175w Metal Halide • Type III Optics • Direct Down Light • Tool less maintenance (Dark Sky Family of Products) 	<p>Madison Series MHC-1</p> <ul style="list-style-type: none"> • 175w Metal Halide • Type III Optics • Direct Down Light • Tool less maintenance (Dark Sky Family of Products) 	<p>AdjustaPak Series APK-1</p> <ul style="list-style-type: none"> • 175w, 250w & 400w Metal Halide • Asymmetric Distribution • 180° Adjustable Trunion

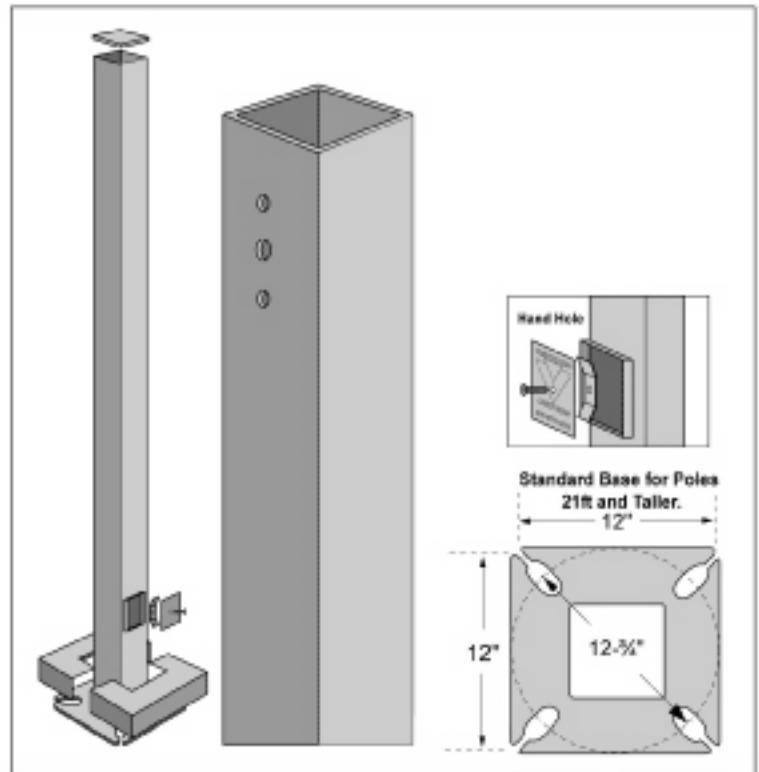
VISIONAIRE LIGHTING

Express Program



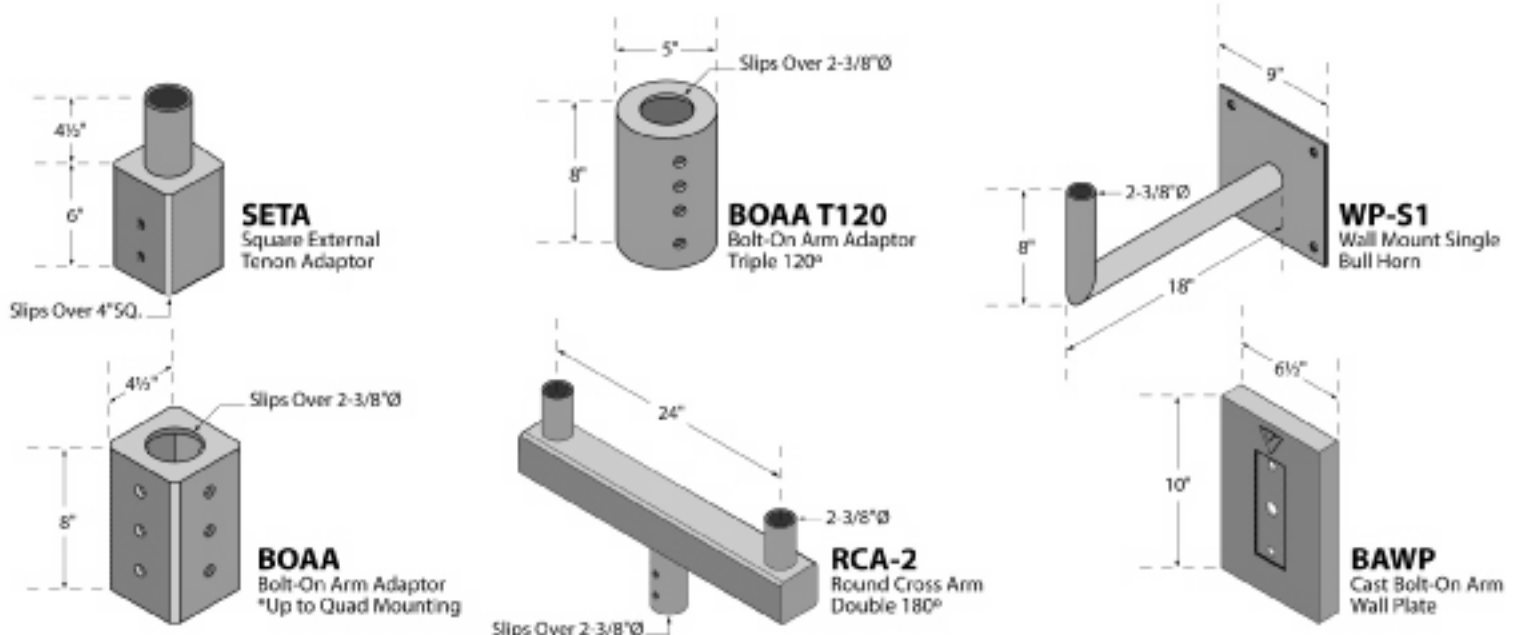
SNTS Square Non-Tapered Steel Poles

- 4" Square: 16', 18', 20', & 25'
- 11 gauge high grade structural steel tube.
- 3/4" thick steel base plate circumferentially welded inside and out to pole shaft.
- Galvanized steel anchor bolts and hardware.
- Two piece heavy gauge aluminum base cover.



SNTS Square Non-Tapered Steel Poles

- 5" Square: 25' & 30'
- 11 gauge high grade structural steel tube.
- 3/4" thick steel base plate circumferentially welded inside and out to pole shaft.
- Galvanized steel anchor bolts and hardware.
- Two piece heavy gauge aluminum base cover.



VISIONAIRE LIGHTING

Express Program

Fixture Ordering Guide

Fixture Catalog #:	Optics	Wattage	Voltage	Mounting	Color
 AME-2 (EPA = 1.3)	Type III (T3) Type V (T5)	400MH (400) (M)	M.Tap (6)	Bolt-On Arm (BOA)	Bronze (BZ) Black (BK) White (WH)
 AME-3 (EPA = 2.1)	Type IV (T4) Type V (T5)	1000MH (1000) (M)	480v (5) M.Tap (6)	Bolt-On Arm (BOA)	Bronze (BZ) Black (BK) White (WH)
 AME-4 (EPA = 2.4)	Type V (T5)	1000MH (1000) (M)	480v (5) M.Tap (6)	Bolt-On Arm (BOA)	Bronze (BZ) Black (BK) White (WH)
 ALX-1 (EPA = 1.6)	Type III (T3) Type IV (T4)	400MH (400) (M)	M.Tap (6)	Bolt-On Arm (BOA)	Bronze (BZ) Black (BK) White (WH)
 ALX-2 (EPA = 1.9)	Type III (T3) Type IV (T4)	1000MH (1000) (M)	480v (5) M.Tap (6)	Bolt-On Arm (BOA)	Bronze (BZ) Black (BK) White (WH)
 SFL-1 (EPA = 2.0)	Wide Beam (WB)	250MH (250) (M) 400MH (400) (M)	M.Tap (6)	Knuckle (KM)	Bronze (BZ) Black (BK) White (WH)
 SFL-1 (EPA = 2.0)	Wide Beam (WB)	250MH (250) (M) 400MH (400) (M)	M.Tap (6)	Trunion (TM)	Bronze (BZ) Black (BK) White (WH)
 SFL-K (EPA = 2.7)	Wide Beam (WB)	1000MH (1000) (M)	480v (5) M.Tap (6)	Knuckle (KM)	Bronze (BZ) Black (BK) White (WH)
 SFL-K (EPA = 2.7)	Wide Beam (WB)	1000MH (1000) (M)	480v (5) M.Tap (6)	Trunion (TM)	Bronze (BZ) Black (BK) White (WH)
 PST-1 (EPA = 2.0)	Type III (T3)	250MH (250) (M) 400MH (400) (M)	M.Tap (6)	Bolt-On Arm (BOA)	Bronze (BZ) Black (BK) White (WH)
 SIL-2	Type III (T3)	175MH (175) (M)	M.Tap (6)	Down Light (DL)	Bronze (BZ) Black (BK) White (WH)
 MHC-1	Type III (T3)	175MH (175) (M)	M.Tap (6)	Down Light (DL)	Bronze (BZ) Black (BK) White (WH)
 APK-1	Asymmetric (ASY)	175MH (175) (M) 250MH (250) (M) 400MH (400) (M)	M.Tap (6)	Down Light (DL)	Bronze (BZ) Black (BK) White (WH)

